

*** SNO GEM® PRODUCT CUT SHEET ***

NOTES:

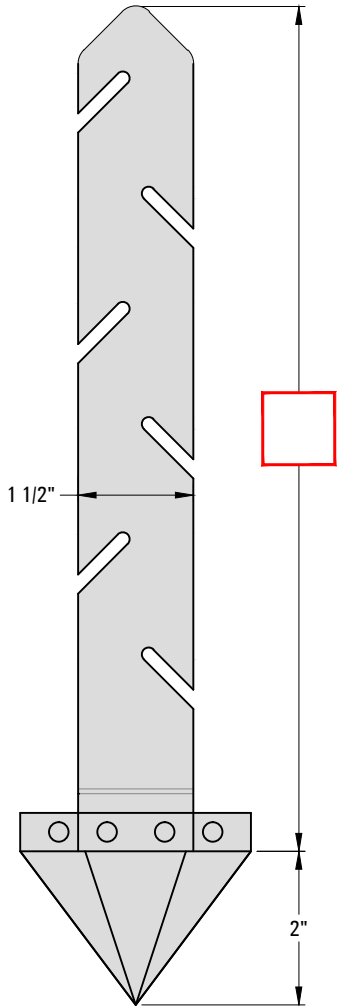
1. FOR CLARITY THIS DRAWING IS NOT TO SCALE.
2. CONTACT THE MANUFACTURER FOR RECOMMENDED LAYOUTS, SPACING AND ADDITIONAL DETAILS.
3. INSTALLATION MUST BE COMPLETED WITH THE MANUFACTURERS WRITTEN SPECIFICATIONS AND INSTALLATION INSTRUCTIONS.
4. THESE DRAWINGS ARE SUBJECT TO CHANGE WITHOUT NOTICE.

MATERIAL SELECTION

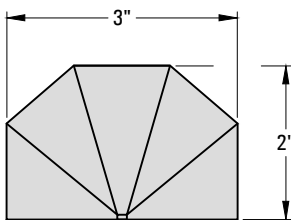
- COPPER
- STAINLESS STEEL
- TERNE METAL
- PRE-FINISHED ALUMINUM
- PRE-FINISHED STEEL
- LEAD-COATED COPPER
- GALVALUME
- FREEDOM GRAY
- ZINC

COLOR / FINISH SELECTION

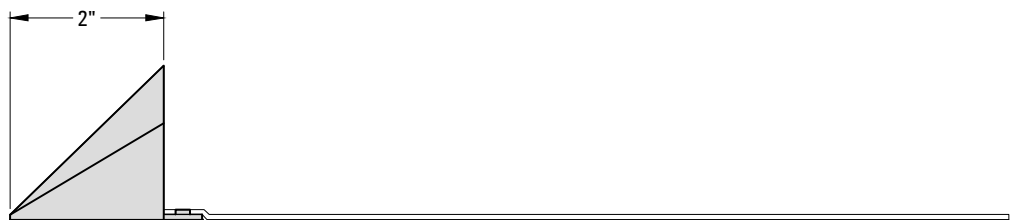
- MILL FINISHED
- COLOR TO CLOSELY MATCH



TOP VIEW



FRONT VIEW



RIGHT VIEW

APPROVAL SIGN-OFF

APPROVED BY: _____

DATE: _____



Snow Retention, Solar Panel & Roof Accessory Attachments
 4800 METALMASTER WAY · McHENRY, IL 60050
 PHONE: 815.477-GEMS WEBSITE: WWW.SNOGEM.COM
 FAX: 815.455.GEMS E-MAIL: INFO@SNOGEM.COM

HALF CARAT™ W/11" RETROFIT TAB

DRAWN BY:	RJH	REV. #	DESCRIPTION
DATE:	5/22/14		
SCALE:	N.T.S.		
			THE INFORMATION HEREIN IS CONFIDENTIAL AND PROPRIETARY AND IS NOT TO BE DISCLOSED OR DELIVERED TO THIRD PARTIES WITHOUT THE PRIOR WRITTEN CONSENT OF SNO GEM®, INC.