

*** SNO GEM® PRODUCT CUT SHEET ***

NOTES:

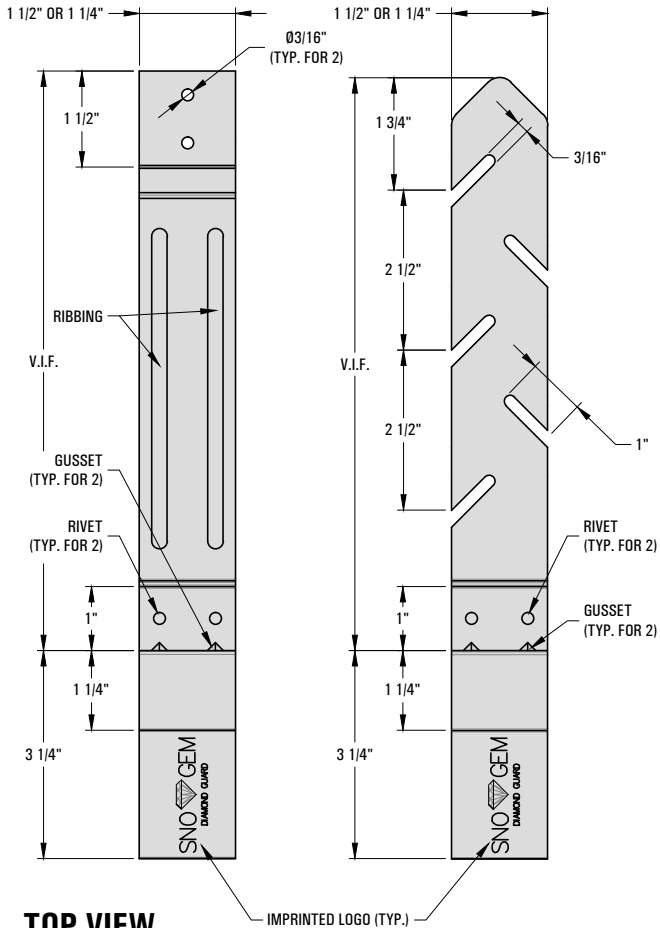
1. FOR CLARITY THIS DRAWING IS NOT TO SCALE.
2. CONTACT THE MANUFACTURER FOR RECOMMENDED LAYOUTS, SPACING AND ADDITIONAL DETAILS.
3. INSTALLATION MUST BE COMPLETED WITH THE MANUFACTURERS WRITTEN SPECIFICATIONS AND INSTALLATION INSTRUCTIONS.
4. THESE DRAWINGS ARE SUBJECT TO CHANGE WITHOUT NOTICE.

MATERIAL SELECTION

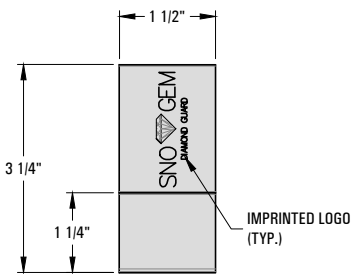
ALUMINUM 6061

COLOR / FINISH SELECTION

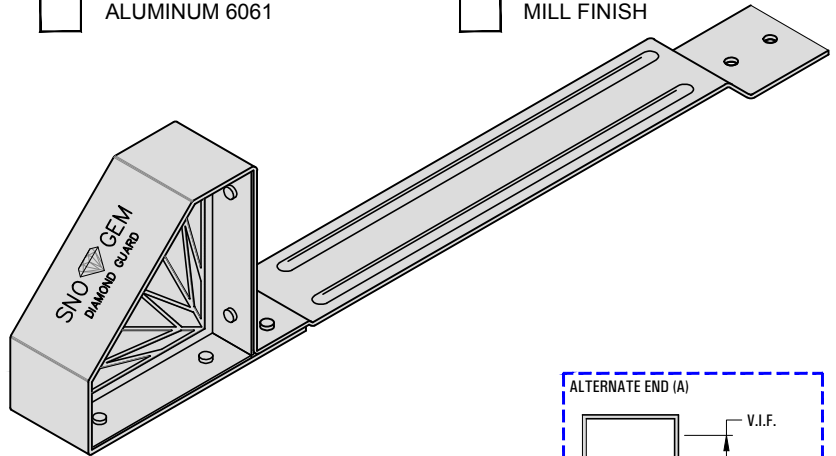
MILL FINISH



TOP VIEW



FRONT VIEW

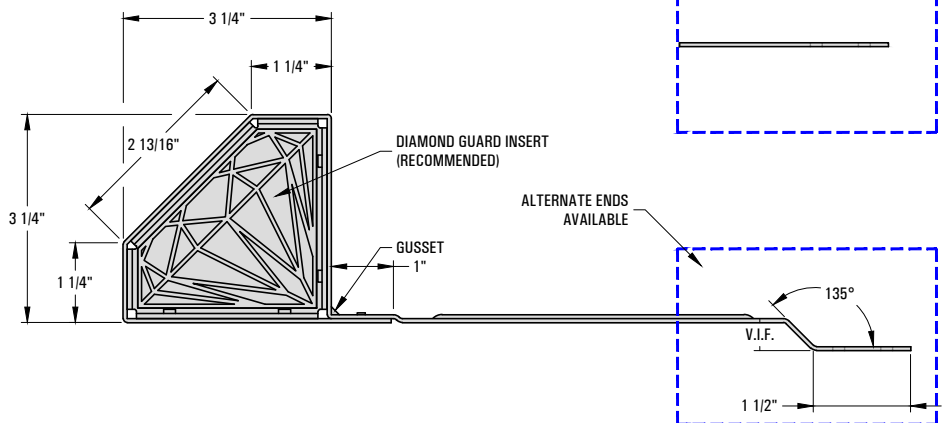


PRODUCT DESCRIPTION:

1. TO BE USED ON SLATE, SHINGLE, SPANISH, FRENCH, CONCRETE, CLAY AND SYNTHETIC ROOF TILES.
2. CUSTOM FABRICATION AVAILABLE TO FIT ANY ROOF TILE OR SHINGLE MANUFACTURER.
3. MECHANICALLY FASTENED OR RETROFIT ATTACHMENT METHODS AVAILABLE.
4. STANDARD OR CUSTOM COLORS AVAILABLE IN POWDER COATING OR KYNAR FINISHES.

NOTES:

1. FOR CLARITY, THIS DRAWING IS NOT TO SCALE.
2. REFER TO DIAMOND GUARD SPECIFICATIONS FOR DETAILED MATERIAL AND FINISH OPTIONS.
3. INSTALLATION TO BE PERFORMED PER SNO GEM PRODUCT SPECIFICATIONS AND INSTALLATION INSTRUCTIONS.
4. ALL SNOW RETENTION PRODUCTS REQUIRE REGULAR AND ONGOING MAINTENANCE. CONTACT SNO GEM FOR MORE INFORMATION.
5. SNO GEM PRODUCTS ARE MANUFACTURED IN THE U.S.A.



RIGHT VIEW



Raising the Bar in Snow Retention

4800 METALMSATER WAY - MCHENY, IL 60050

PHONE: 815.477.GEMS WEBSITE: WWW.SNOGEM.COM
FAX: 815.455.GEMS E-MAIL: INFO@SNOGEM.COM

DIAMOND GUARD™

DRAWN BY:	rhoeffleur	REV. #	DESCRIPTION
DATE:	11/22/2016		
SCALE:	N.T.S.	THE INFORMATION HEREIN IS CONFIDENTIAL AND PROPRIETARY AND IS NOT TO BE DISCLOSED OR DELIVERED TO THIRD PARTIES WITHOUT THE PRIOR WRITTEN CONSENT OF SNO GEM, INC.	