

# \*\*\* SNO GEM® PRODUCT CUT SHEET \*\*\*

**I have verified the clamp represented in this cut sheet will fit the seam for my project.**

Quote#: \_\_\_\_\_

Signature: \_\_\_\_\_ Date: \_\_\_\_\_

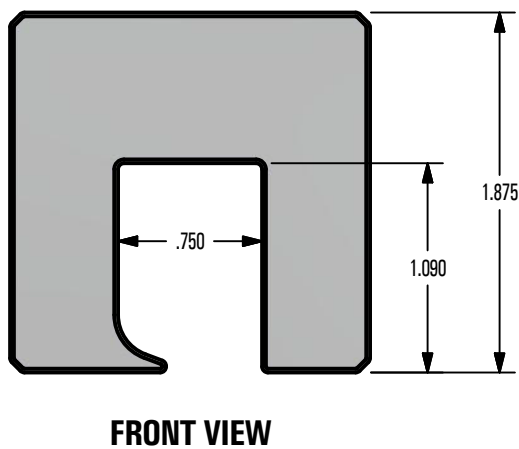
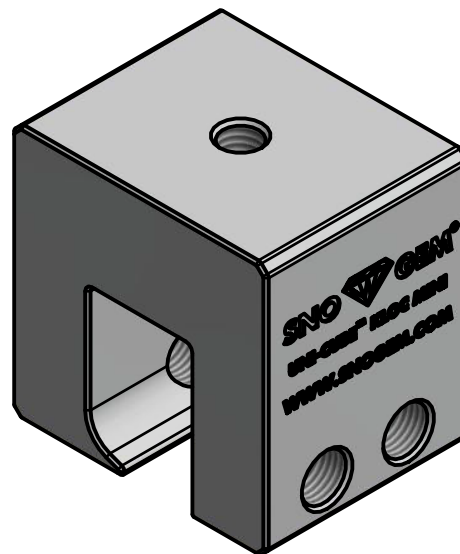
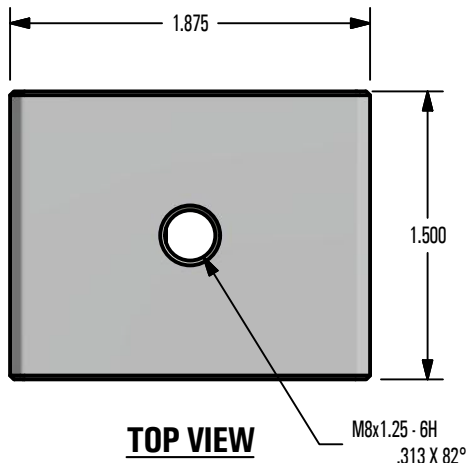
## MATERIAL

ALUMINUM 6061-T6

## COLOR / FINISH

MILL FINISH

COLOR TO MATCH



3/8-24 UNF - 3B  
.375 X 82°

### NOTES:

1. FOR CLARITY THIS DRAWING IS NOT TO SCALE.
2. CONTACT THE MANUFACTURER FOR RECOMMENDED LAYOUTS, SPACING AND ADDITIONAL DETAILS.
3. INSTALLATION MUST BE COMPLETED WITH THE MANUFACTURERS WRITTEN SPECIFICATIONS AND INSTALLATION INSTRUCTIONS.
4. THESE DRAWINGS ARE SUBJECT TO CHANGE WITHOUT NOTICE.



**Raising the Bar in Snow Retention**  
4800 METALMASTER WAY - McHENY, IL 60050

PHONE: 815.477.GEMS WEBSITE: WWW.SNOGEM.COM  
FAX: 815.455.GEMS E-MAIL: INFO@SNOGEM.COM

# 1.5 in UNI-CUBE KLOC MINI

DRAWN BY:	rhoeffleur	REV. #	DESCRIPTION
DATE:	10/24/2015		
SCALE:	N.T.S.	THE INFORMATION HEREIN IS CONFIDENTIAL AND PROPRIETARY AND IS NOT TO BE DISCLOSED OR DELIVERED TO THIRD PARTIES WITHOUT THE PRIOR WRITTEN CONSENT OF SNO GEM, INC.	