

*** SNO GEM® PRODUCT CUT SHEET ***

I have verified the clamp represented in this cut sheet will fit the seam for my project.

Quote#: _____

Signature: _____ Date: _____

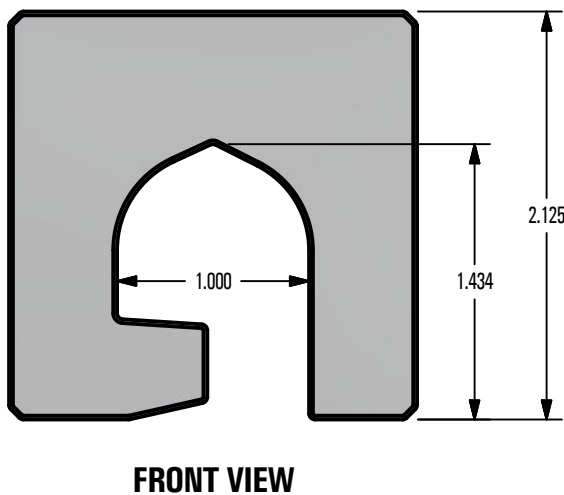
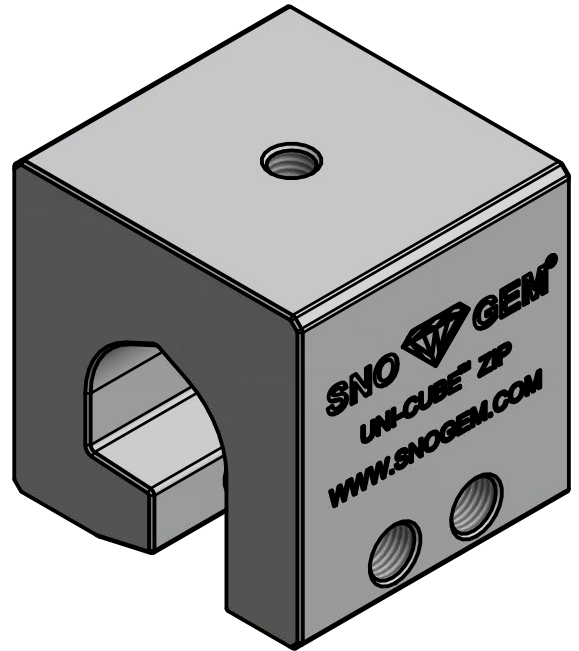
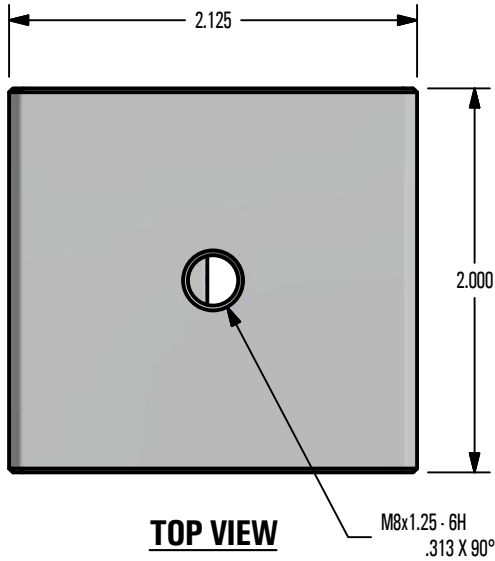
MATERIAL

ALUMINUM 6061-T6

COLOR / FINISH

MILL FINISH

COLOR TO MATCH



3/8-24 UNF - 3B
.375 X 90°

RIGHT VIEW

NOTES:

1. FOR CLARITY THIS DRAWING IS NOT TO SCALE.
2. CONTACT THE MANUFACTURER FOR RECOMMENDED LAYOUTS, SPACING AND ADDITIONAL DETAILS.
3. INSTALLATION MUST BE COMPLETED WITH THE MANUFACTURERS WRITTEN SPECIFICATIONS AND INSTALLATION INSTRUCTIONS.
4. THESE DRAWINGS ARE SUBJECT TO CHANGE WITHOUT NOTICE.

SNO GEM®
Raising the Bar in Snow Retention
 4800 METALMASTER WAY - McHENY, IL 60050
 PHONE: 815.477.GEMS WEBSITE: WWW.SNOGEM.COM
 FAX: 815.455.GEMS E-MAIL: INFO@SNOGEM.COM

2 in UNI-CUBE ZIP

DRAWN BY:	rhoeffleur	REV. #	DESCRIPTION
DATE:	10/24/2015		
SCALE:	N.T.S.	THE INFORMATION HEREIN IS CONFIDENTIAL AND PROPRIETARY AND IS NOT TO BE DISCLOSED OR DELIVERED TO THIRD PARTIES WITHOUT THE PRIOR WRITTEN CONSENT OF SNO GEM, INC.	