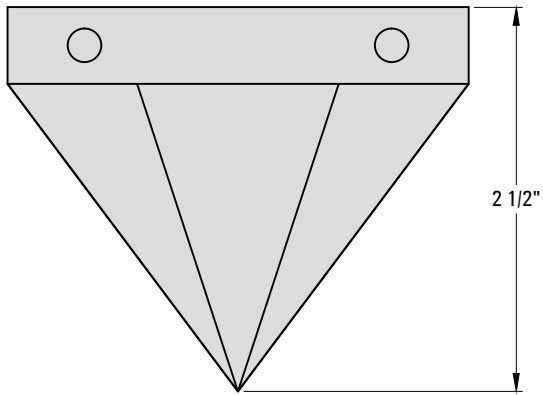


*** SNO GEM® PRODUCT CUT SHEET ***

NOTES:

1. FOR CLARITY THIS DRAWING IS NOT TO SCALE.
2. CONTACT THE MANUFACTURER FOR RECOMMENDED LAYOUTS, SPACING AND ADDITIONAL DETAILS.
3. INSTALLATION TO BE COMPLETED WITH THE MANUFACTURERS WRITTEN SPECIFICATIONS AND INSTALLATION INSTRUCTIONS.
4. THESE DRAWINGS ARE SUBJECT TO CHANGE WITHOUT NOTICE.



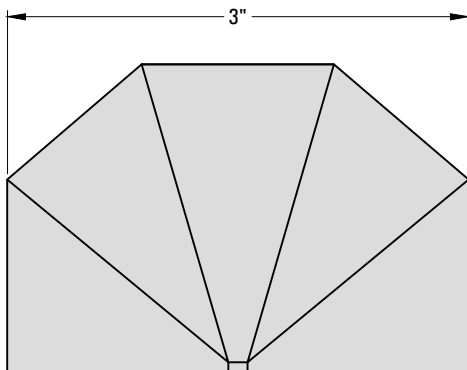
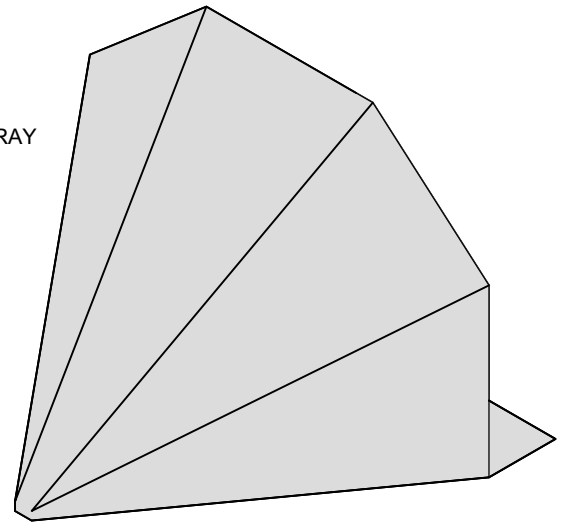
TOP VIEW

MATERIAL SELECTION

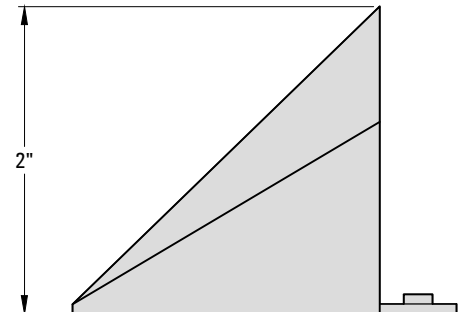
- COPPER
- STAINLESS STEEL
- TERNE METAL
- PRE-FINISHED ALUMINUM
- PRE-FINISHED STEEL
- LEAD-COATED COPPER
- GALVALUME
- FREEDOM GRAY
- ZINC

COLOR / FINISH SELECTION

- MILL FINISHED
- COLOR TO CLOSELY MATCH



FRONT VIEW



RIGHT VIEW



Raising the Bar in Snow Retention

4800 METALMATER WAY - McHENY, IL 60050

PHONE: 815.477.GEMS WEBSITE: WWW.SNOGEM.COM
 FAX: 815.455.GEMS E-MAIL: INFO@SNOGEM.COM

HALF CARAT™

DRAWN BY:	rhoeffleur	REV. #	DESCRIPTION
DATE:	11/22/2016		
SCALE:	N.T.S.	THE INFORMATION HEREIN IS CONFIDENTIAL AND PROPRIETARY AND IS NOT TO BE DISCLOSED OR DELIVERED TO THIRD PARTIES WITHOUT THE PRIOR WRITTEN CONSENT OF SNO GEM, INC.	