

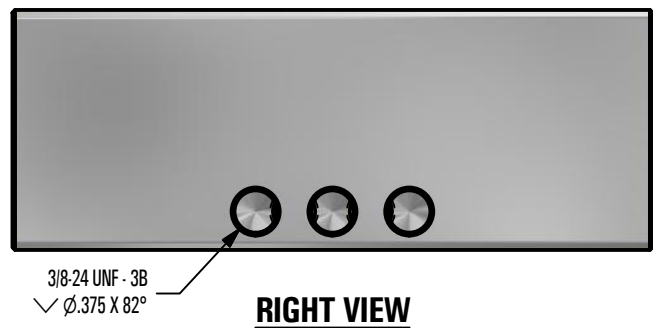
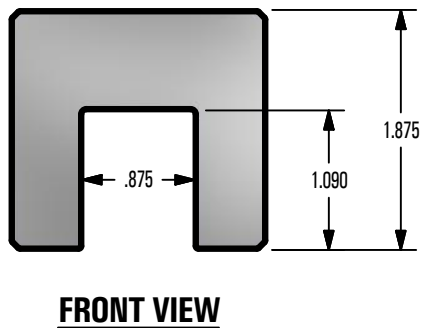
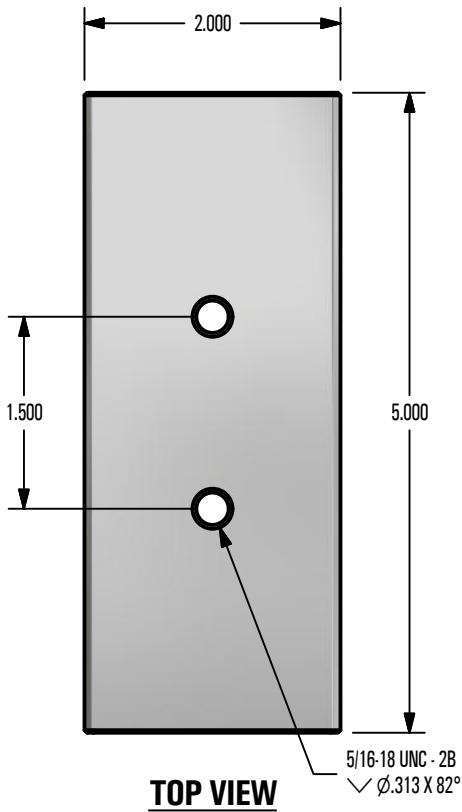
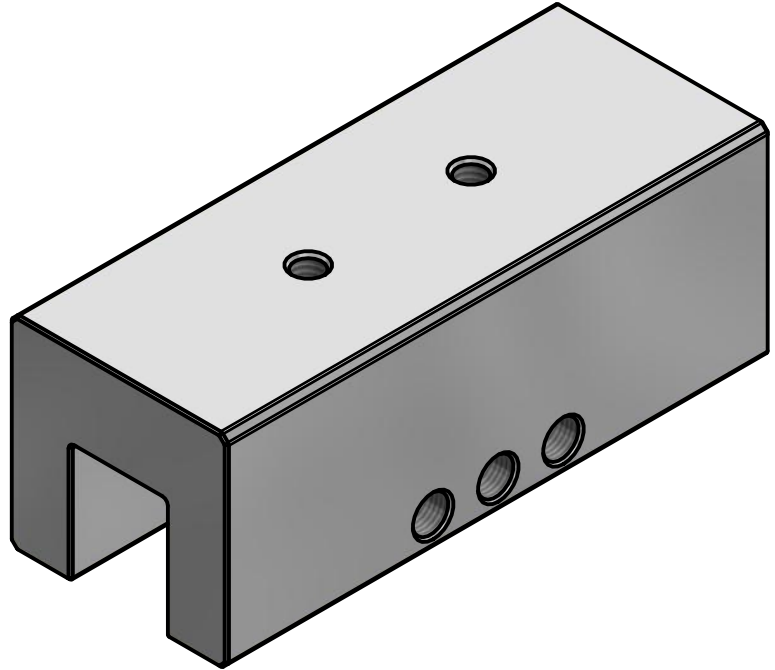
# \*\*\* SNO GEM PRODUCT CUT SHEET \*\*\*

## GENERAL NOTES:

1. FOR CLARITY THIS DRAWING IS NOT TO SCALE.
2. CONTACT THE MANUFACTURER FOR RECOMMENDED LAYOUTS, SPACING, AND ADDITIONAL DETAILS.
3. INSTALLATION MUST BE COMPLETED WITH MANUFACTURERS WRITTEN SPECIFICATIONS AND INSTALLATION INSTRUCTIONS.
4. THESE DRAWINGS ARE SUBJECT TO CHANGE WITHOUT NOTICE.

## FINISH SELECTION:

- MILL FINISH
- COLOR TO CLOSELY MATCH



**SNO GEM®**

**Raising the Bar in Snow Retention**

**4800 METALMASTER WAY - MCHENRY, IL 60050**

PHONE: 815.477.GEMS WEBSITE: WWW.SNOGEM.COM  
FAX: 815.455.GEMS E-MAIL: INFO@SNOGEM.COM

## 2 in GEM CLAMP MINI

DRAWN BY:	rhoeffleur
DATE:	1/27/2018
SCALE:	N.T.S.
MATERIAL:	Aluminum

THE INFORMATION HEREIN IS CONFIDENTIAL AND PROPRIETARY AND IS NOT TO BE DISCLOSED OR DELIVERED TO THIRD PARTIES WITHOUT THE PRIOR WRITTEN CONSENT OF SNO GEM, INC.