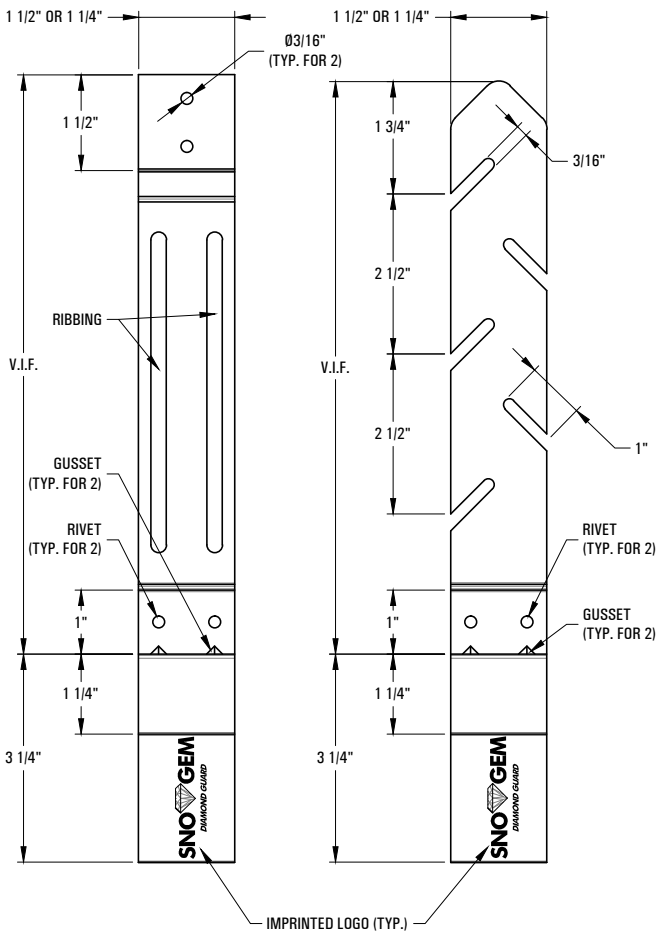
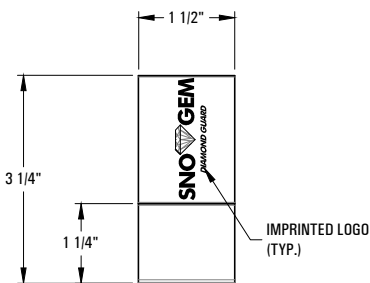


# \*\*\* SNO GEM PRODUCT CUT SHEET \*\*\*



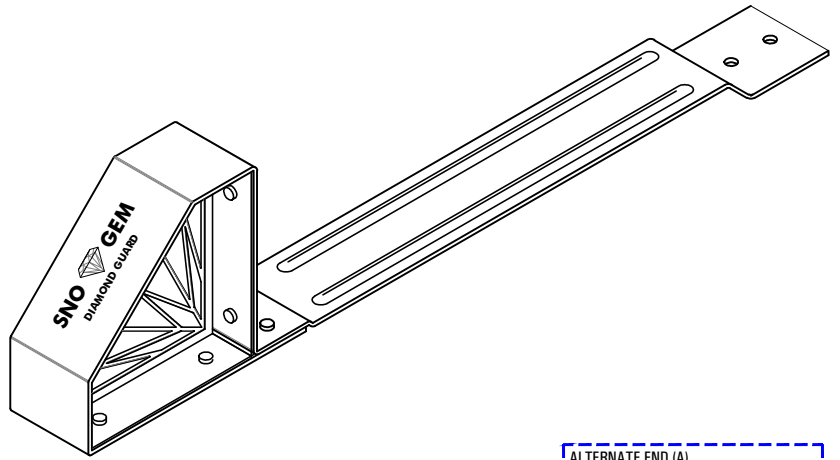
## TOP VIEW

N.T.S.



## FRONT VIEW

N.T.S.

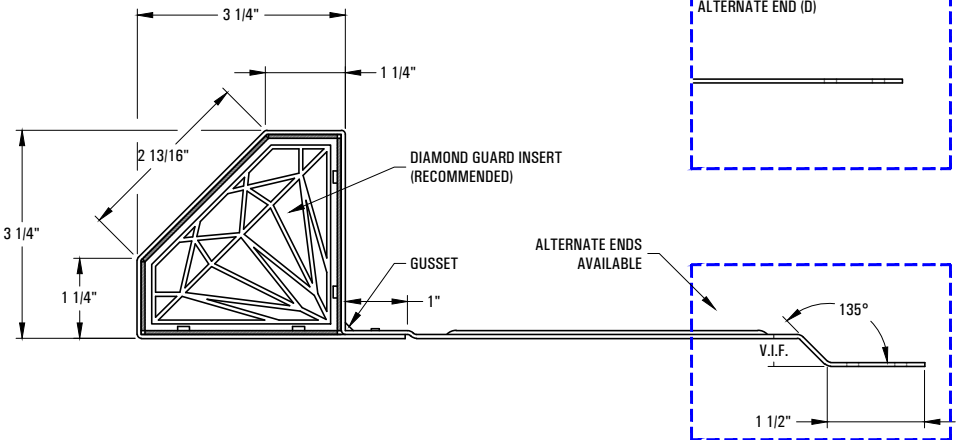
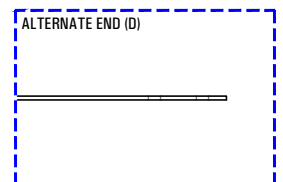
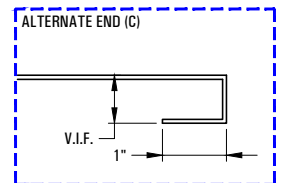
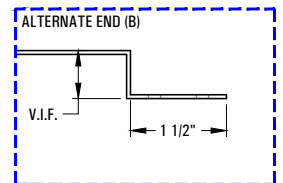
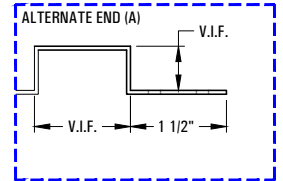


### PRODUCT DESCRIPTION:

1. TO BE USED ON SLATE, SHINGLE, SPANISH, FRENCH, CONCRETE, CLAY AND SYNTHETIC ROOF TILES.
2. CUSTOM FABRICATION AVAILABLE TO FIT ANY ROOF TILE OR SHINGLE MANUFACTURER.
3. MECHANICALLY FASTENED OR RETROFIT ATTACHMENT METHODS AVAILABLE.
4. STANDARD OR CUSTOM COLORS AVAILABLE IN POWDER COATING OR KYNAR FINISHES.

### NOTES:

1. FOR CLARITY, THIS DRAWING IS NOT TO SCALE.
2. REFER TO DIAMOND GUARD SPECIFICATIONS FOR DETAILED MATERIAL AND FINISH OPTIONS.
3. INSTALLATION TO BE PERFORMED PER SNO GEM PRODUCT SPECIFICATIONS AND INSTALLATION INSTRUCTIONS.
4. ALL SNOW RETENTION PRODUCTS REQUIRE REGULAR AND ONGOING MAINTENANCE. CONTACT SNO GEM FOR MORE INFORMATION.
5. SNO GEM PRODUCTS ARE MANUFACTURED IN THE U.S.A.



## RIGHT VIEW

N.T.S.



4800 METALMASTER WAY - McHENRY, IL 60050  
 PHONE: 815.477-GEMS WEBSITE: WWW.SNOGEM.COM  
 FAX: 815.455.GEMS E-MAIL: INFO@SNOGEM.COM

## DIAMOND GUARD

DRAWN BY:	RJH	REV. #	DESCRIPTION
DATE:	12/23/2011		
SCALE:	N.T.S.		